

M12 female 0° with cable Cube67-Safety

PUR (4x0.5C+2x0.5)C shielded ye 25m

Cube67

Female straight

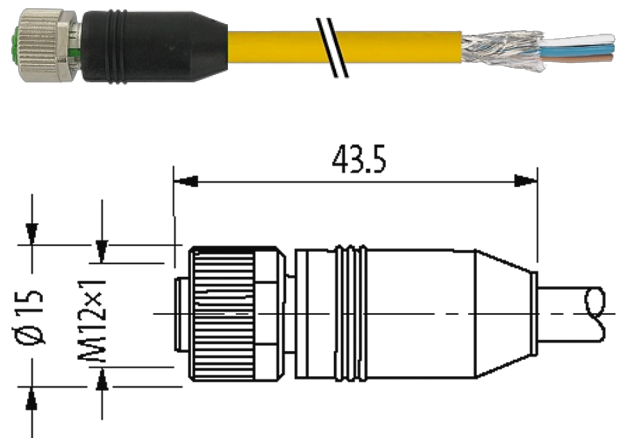
M12, 6-pole

Actuator supply external

Further cable lengths on request.

Plastic housings with good resistance against chemicals and oils.

The resistance to aggressive media should be individually tested for your application. Further details on request.

Illustration

Product may differ from Image

Approvals**More Info**

Cube67

Form

Form 15101

Cables

| | |
|----------------------------|-----------------------------------|
| Cable number | 138 |
| No./diameter of wires | 4 × 0.5 + 2 × 0.5 mm ² |
| Wire isolation | PP (br, wh, bl, bk, gr, pk) |
| C-track properties | 5 Mio. |
| Jacket Color | yellow |
| Material (jacket) | PUR |
| Outer Ø | 8.0 mm ±5% |
| Bend radius (moving) | 10 × outer Ø |
| Temperature range (fixed) | -40...+80 °C |
| Temperature range (mobile) | -5...+80 °C |
| Cable identification | 138 |

| | |
|-------------------------------------|---|
| Approval (cable) | CE conform |
| Cable weight [g/m] | 123,20 |
| Material (wire) | Cu wire, bare |
| Resistor (core) | max. 39 Ω /km (20 °C) |
| Single wire \varnothing (core) | 0.15 mm |
| Construction (core) | 28x 0.15 mm (multi-strand wire class 6) |
| Diameter (core) | 4x 0.5 + 2x 0.5 mm ² |
| AWG | similar to AWG 20 |
| Material (wire isolation) | PP |
| Material property (wire isolation) | CFC-, halogen-, cadmium-, silicone- and lead-free |
| Shore hardness (wire isolation) | 55 \pm 5 D |
| Wire- \varnothing incl. isolation | 1.5 mm \pm 5% |
| Color/numbering of wires | br, bl, gr, pk, wh, bk |
| Shield | yes |
| | min. 85% |
| Material (jacket) | PUR |
| Shore hardness (jacket) | 85 \pm 5 A |
| Outer- \varnothing (jacket) | 8.0 mm \pm 5% |
| Color (jacket) | yellow |
| chemical resistance | good resistance to oil, gasoline and chemicals (VDE 0472 Teil 803 Test B) |
| Nominal voltage | 100 V AC |
| Test voltage | 1200 V AC |
| Temperature range (fixed) | -40...+80 °C |
| Temperature range (mobile) | -5...+80 °C |
| Bend radius (moving) | 10x outer \varnothing |
| No. of bending cycles (C-track) | max. 5 Mio. (25 °C) |
| Traversing distance (C-track) | max. 5 m (horizontal) |
| Travel speed (C-track) | max. 3.3 m/s |
| Acceleration (C-track) | max. 5 m/s ² |

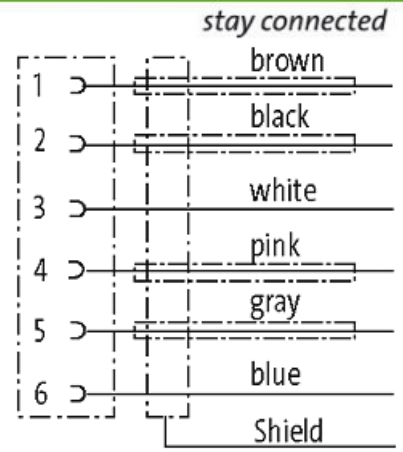
Technical Data

| | |
|-------------------------------|--|
| Operating voltage | max. 60 V AC/DC |
| Operating current per contact | max. 4 A |
| Locking of ports | Screw thread (M12x1 mm) recommended torque 0.6 Nm, self-securing |
| Protection | IP66K, IP67 inserted and tightened (EN 60529) |

Commercial data

| | |
|-----------------------|---------------|
| country of origin | DE |
| customs tariff number | 85444290 |
| EAN | 4048879583664 |
| eClass | 27279218 |
| Packaging unit | 1 |

Sketch



Product may differ from Image